












## 5<sup>th</sup> Papertech Expo 2022

### 26/27/28 May 2022

International Convention City Bashundhara (ICCB)  
Dhaka, Bangladesh



**AN EXCLUSIVE**  
 Pulp | Paper | Tissue | Chemical  
 Packaging | Printing | Converting  
 Stationery & Allied Industries Machinery  
 Technologies & Equipments Expo

Supported by 	Organized by 	Interior Partner 	Sponsored by 	Co-Sponsored by  	Associate Partner 
Exhibition Logistics 	Broadcast Partner 	Print Media Partner  	International Media Partner 	Official Publication 	Hospitality Partner 



# 5<sup>th</sup> Papertech Expo 2022

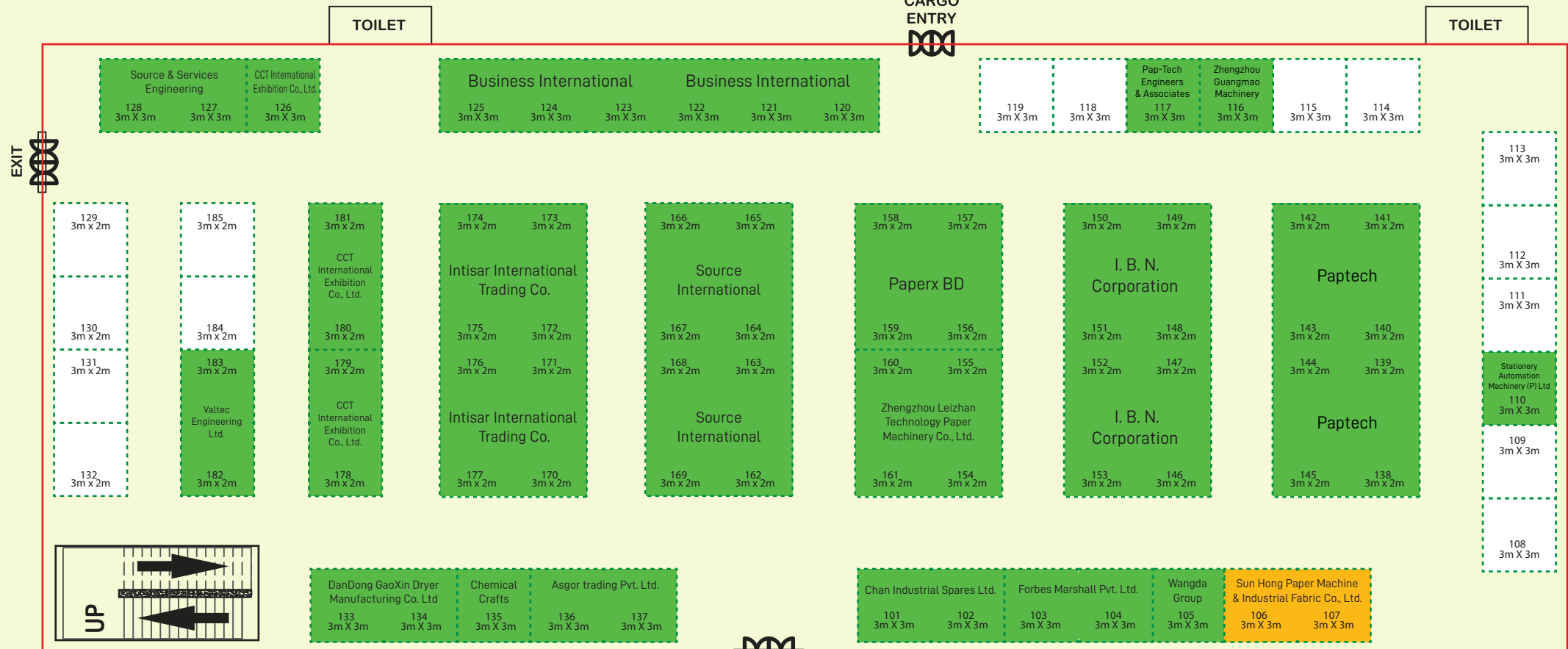
**26/27/28 May 2022**

International Convention City Bashundhara (ICCB)  
Dhaka, Bangladesh

Sold	
Booked	
Available	

**HALL NO: 01  
GULNAKSHA**

**Hotline : +88 01711 997 820, +88 01811 485 222**



**AN EXCLUSIVE**  
Pulp | Paper | Tissue | Chemical  
Packaging | Printing | Converting  
Stationary & Allied Industries Machinery  
Technologies & Equipments Expo

Supported by: **BANGLADESH PAPER MILLS ASSOCIATION**

Organized by: **IBEPL**  
Bangladesh Exhibitors Pvt. Ltd. Exhibitions | Conferences | Innovation

Interior Partner: **Global Event & Interiors**

Sponsored by: **MR**

Co-Sponsored by: **OX**, **ibn corporation**

Associate Partner: **JMC**

Exhibition Logistics: **future events**  
& Exhibitions (pvt) Ltd.

Broadcast Partner: **NEWS24**

Print Media Partner: **বাংলাদেশ প্রতিদিন**, **daily sun**

International Media Partner: **PAPER MART**  
www.papermart.in

Official Publication: **BANGLADESH PULP & PAPER**

Hospitality Partner: **EMBA**



# 5<sup>th</sup> Papertech Expo 2022

**26 / 27 / 28 May 2022**

International Convention City Bashundhara (ICCB)  
Dhaka, Bangladesh

Sold	<span style="background-color: #28a745; color: white;"> </span>
Booked	<span style="background-color: #ffc107; color: white;"> </span>
Available	<span style="background-color: #fff3cd; color: white;"> </span>

HALL NO: 1A  
TENT

Hotline : +88 01711 997 820, +88 01811 485 222



AN EXCLUSIVE  
Pulp | Paper | Tissue | Chemical  
Packaging | Printing | Converting  
Stationery & Allied Industries Machinery  
Technologies & Equipments Expo

Supported by 	Organized by 	Interior Partner 	Sponsored by 	Co-Sponsored by 	Associate Partner 
Exhibition Logistics 	Broadcast Partner 	Print Media Partner 	International Media Partner 	Official Publication 	Hospitality Partner 



# 5<sup>th</sup> Papertech Expo 2022

**26/27/28 May 2022**

International Convention City Bashundhara (ICCB)  
Dhaka, Bangladesh

Sold	
Booked	
Available	

**HALL NO: 03  
RAJDARSHAN**

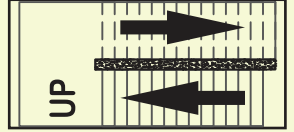
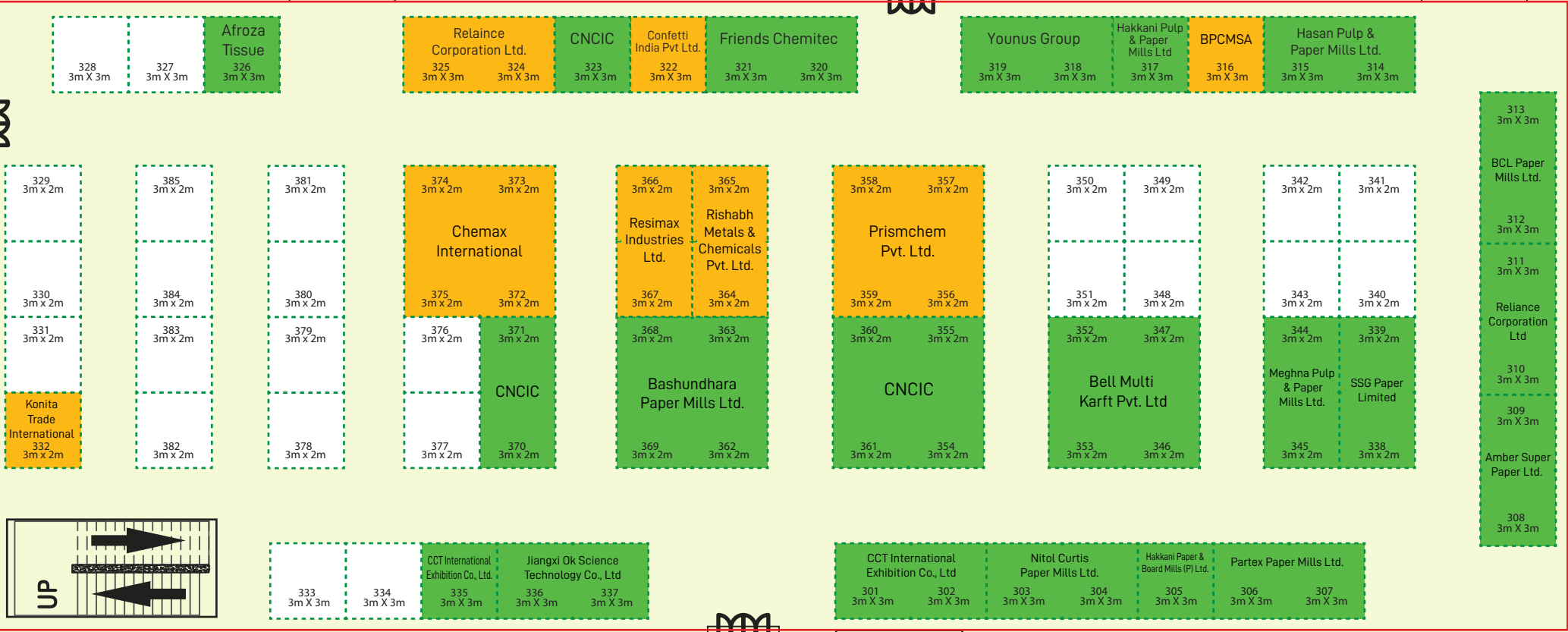
**Hotline : +88 01711 997 820, +88 01811 485 222**

TOILET

TOILET

CARGO ENTRY

EXIT



ENTRY

REGISTRATION

**AN EXCLUSIVE**  
Pulp | Paper | Tissue | Chemical  
Packaging | Printing | Converting  
Stationary & Allied Industries Machinery  
Technologies & Equipments Expo

Supported by: **BANGLADESH PAPER MILLS ASSOCIATION**

Organized by: **IBEPL** (Bangladesh Exhibition Pvt. Ltd. Exhibitor Conference Innovation)

Interior Partner: **Global Event & Interiors**

Sponsored by: **MR**

Co-Sponsored by: **OK**, **ibn corporation**

Associate Partner: **JMC**

Exhibition Logistics: **future events & exhibitions (pvt) ltd.**

Broadcast Partner: **NEWS24**

Print Media Partner: **বাংলাদেশ প্রতিদিন**, **daily sun**

International Media Partner: **PAPER MART** (www.papermart.in)

Official Publication: **Bangladesh Paper Mills Association**

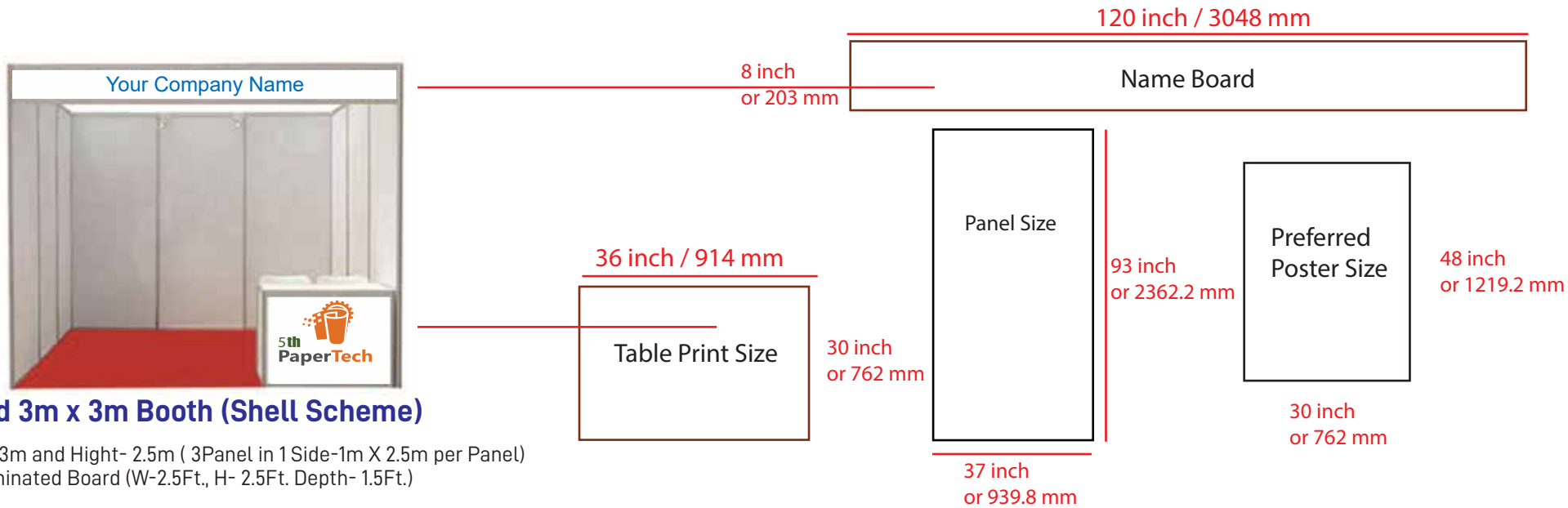
Hospitality Partner: **TRAVISA**



# 5<sup>th</sup> Papertech Expo 2022

**26/27/28 May 2022**

International Convention City Bashundhara (ICCB)  
Dhaka, Bangladesh



## Standard 3m x 3m Booth (Shell Scheme)

- Stall -3m X 3m and Hight- 2.5m ( 3Panel in 1 Side-1m X 2.5m per Panel)
- 1 Table- Laminated Board (W-2.5Ft., H- 2.5Ft. Depth- 1.5Ft.)
- 2 Chairs
- 1 unit Four Color Name Fascia 8 inch X 3m)
- 3 spot Light on back wall
- 1 Unit 3m X 3m Carpet (in a common color)
- 1 Unit 5amp Power Point
- 1 Unit Waste Bin

**Important Note : Design Stand - Max High - 120 Inch - 3048 mm (Design Should be checked by Organizer)**

## AN EXCLUSIVE

Pulp | Paper | Tissue | Chemical  
Packaging | Printing | Converting  
Stationary & Allied Industries Machinery  
Technologies & Equipments Expo



+88 01711 997 820

papertechexpo@gmail.com

www.papertechexpo-bd.com