












5th Papertech Expo 2022

26/27/28 May 2022

International Convention City Bashundhara (ICCB)
Dhaka, Bangladesh



AN EXCLUSIVE
 Pulp | Paper | Tissue | Chemical
 Packaging | Printing | Converting
 Stationery & Allied Industries Machinery
 Technologies & Equipments Expo

Supported by 	Organized by 	Interior Partner 	Sponsored by 	Co-Sponsored by  	Associate Partner 
Exhibition Logistics 	Broadcast Partner 	Print Media Partner  	International Media Partner 	Official Publication 	Hospitality Partner 



5th Papertech Expo 2022

26/27/28 May 2022

International Convention City Bashundhara (ICCB)
Dhaka, Bangladesh

Sold	
Booked	
Available	

**HALL NO: 01
GULNAKSHA**

Hotline : +88 01711 997 820, +88 01811 485 222



AN EXCLUSIVE
Pulp | Paper | Tissue | Chemical
Packaging | Printing | Converting
Stationary & Allied Industries Machinery
Technologies & Equipments Expo

Supported by: **BANGLADESH PAPER MILLS ASSOCIATION**

Organized by: **IBEPL** Bangladesh Exhibitors Pvt. Ltd. Exhibition | Conference | Innovation

Interior Partner: **Global Event & Interiors**

Sponsored by: **MR**

Co-Sponsored by: **OX** 欧克, **ibn** corporation

Associate Partner: **JMC**

Exhibition Logistics: **future events & exhibitions (pvt) ltd.**

Broadcast Partner: **NEWS24**

Print Media Partner: **বাংলাদেশ প্রতিদিন**, **daily sun**

International Media Partner: **PAPER MART** www.papermart.in

Official Publication: **Bangladesh PAPER** BANGLADESH PULP & PAPER ASSOCIATION

Hospitality Partner: **EMERALD RESORTS**



5th Papertech Expo 2022

26 / 27 / 28 May 2022

International Convention City Bashundhara (ICCB)
Dhaka, Bangladesh

Sold	
Booked	
Available	

HALL NO: 1A
TENT

Hotline : +88 01711 997 820, +88 01811 485 222



AN EXCLUSIVE
 Pulp | Paper | Tissue | Chemical
 Packaging | Printing | Converting
 Stationary & Allied Industries Machinery
 Technologies & Equipments Expo

Supported by:

Organized by:

Interior Partner:

Sponsored by:

Co-Sponsored by:

Associate Partner:

Exhibition Logistics:

Broadcast Partner:

Print Media Partner:

International Media Partner:

Official Publication:

Hospitality Partner:



5th Papertech Expo 2022

26/27/28 May 2022

International Convention City Bashundhara (ICCB)
Dhaka, Bangladesh

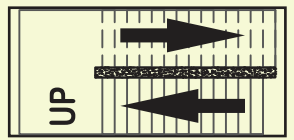
Sold	
Booked	
Available	

**HALL NO: 03
RAJDARSHAN**

Hotline : +88 01711 997 820, +88 01811 485 222

TOILET

TOILET



REGISTRATION

AN EXCLUSIVE
Pulp | Paper | Tissue | Chemical
Packaging | Printing | Converting
Stationary & Allied Industries Machinery
Technologies & Equipments Expo

Supported by: **BANGLADESH PAPER MILLS ASSOCIATION**

Organized by: **IBEPL** Bangladesh Exhibitions Pvt. Ltd. Exhibition | Conference | Innovation

Interior Partner: **Global Event & Interiors**

Sponsored by: **MR**

Co-Sponsored by: **OK** 欧克, **ibn corporation**

Associate Partner: **JMC**

Exhibition Logistics: **future events & exhibitions (pvt) ltd.**

Broadcast Partner: **NEWS24**

Print Media Partner: **বাংলাদেশ প্রতিদিন**, **daily sun**

International Media Partner: **PAPER MART** www.papermart.in

Official Publication: **Bangladesh Paper Mills Association**

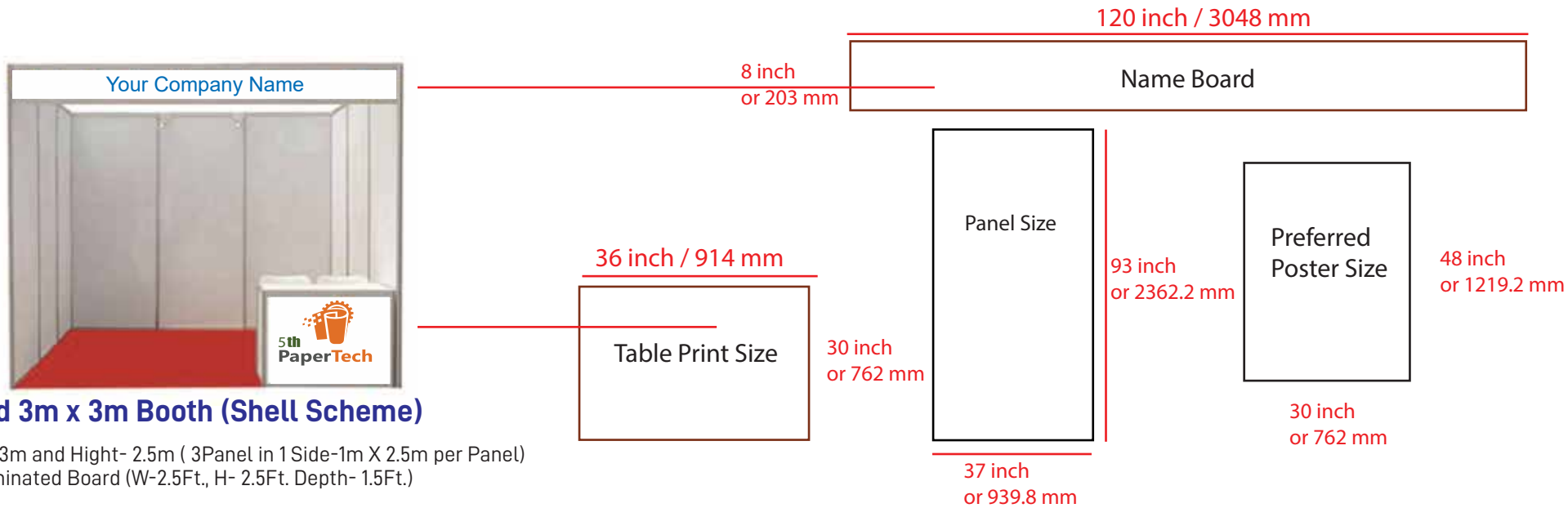
Hospitality Partner: **TRAVISA**



5th Papertech Expo 2022

26/27/28 May 2022

International Convention City Bashundhara (ICCB)
Dhaka, Bangladesh



Standard 3m x 3m Booth (Shell Scheme)

- Stall -3m X 3m and Hight- 2.5m (3Panel in 1 Side-1m X 2.5m per Panel)
- 1 Table- Laminated Board (W-2.5Ft., H- 2.5Ft. Depth- 1.5Ft.)
- 2 Chairs
- 1 unit Four Color Name Fascia 8 inch X 3m)
- 3 spot Light on back wall
- 1 Unit 3m X 3m Carpet (in a common color)
- 1 Unit 5amp Power Point
- 1 Unit Waste Bin

Important Note : Design Stand - Max High - 120 Inch - 3048 mm (Design Should be checked by Organizer)

AN EXCLUSIVE

Pulp | Paper | Tissue | Chemical
Packaging | Printing | Converting
Stationary & Allied Industries Machinery
Technologies & Equipments Expo



+88 01711 997 820

papertechexpo@gmail.com

www.papertechexpo-bd.com